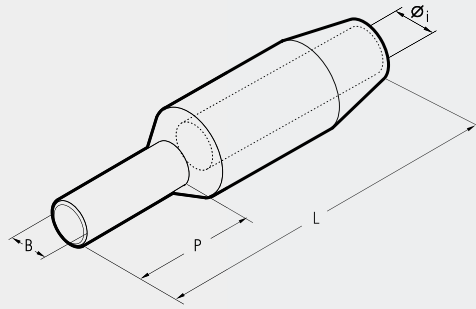


HIGH VOLTAGE STALK CONNECTORS

MT-C



MT-C series connectors are designed for high voltage applications up to 33 kV. They are manufactured from high purity copper, annealed and tin plated.

The extended barrel enhances both electrical and mechanical performance. The stalk or pin makes these connectors ideal for terminating conductors into contact blocks.

Conductor Size (sqmm) & Format	Ref.	Dimensions mm				Quantity Box/Bag	Hydraulic Tools			
		Øi	B	P	L					
25 R	MT 25-C 8	6,8	8	35	80	90/3	B35-50			
30 RC/S ÷ 40 S	MT 40 S-C 8	8,2	8	35	80	90/3				
	MT 40 S-C 10	8,2	10	35	80	90/3				
	MT 40 S-C 14-80	8,2	14	80	123	30/3				
35 BR/BS*	MT 35-C 8	8,2	8	35	80	90/3				
	MT 35-C 10	8,2	10	35	80	90/3				
	MT 35-C 14-80	8,2	14	80	123	30/3				
50 RC	MT 50 R-C 8	8,8	8	35	80	90/3				
	MT 50 R-C 10	8,8	10	35	80	90/3				
50 S	MT 50 S-C 8	9,5	8	35	80	90/3				
	MT 50 S-C 10	9,5	10	35	80	90/3				
	MT 50 S-C 14-80	9,5	14	80	123	30/3				
50 BR/BS*	MT 50-C 8	9,5	8	35	80	90/3				
	MT 50-C 10	9,2	10	35	80	90/3				
	MT 50-C 14-80	9,5	14	80	123	90/3				
63 S ÷ 70 S	MT 70 S-C 10	11,2	10	35	90	30/3	HT 51 RH 50 B 51 B 55 HT 81-U RHU 81 HT 120 and tools and heads with 130 kN crimping force ECW-H3D RHU 520			
70 BR/BS*	MT 70-C 10	11,2	10	35	90	30/3				
80 S ÷ 95 RC	MT 95 R-C 10	12,0	10	45	110	60/3				
	MT 95 R-C 12	12,0	12	45	110	60/3				
95 S ÷ 100 S	MT 95 S-C 10	13,5	10	45	110	60/3				
	MT 95 S-C 14-80	13,5	14	80	145	60/3				
95 BR/BS*	MT 95-C 10	13,5	10	45	110	60/3				
	MT 95-C 12	13,5	12	45	110	60/3				
	MT 95-C 14-80	13,5	14	80	145	60/3				
120 RC/S ÷ 150 RC	MT 150 R-C 12	15,0	12	45	110	60/3				
	MT 150 R-C 16	15,0	16	45	110	30/3				
120 BR/BS*	MT 120-C 12	15,0	12	45	110	60/3				
	MT 120-C 16	15,0	16	45	110	60/3				
150 S ÷ 160 RC	MT 150 S-C 12	16,5	12	45	110	60/3				
	MT 150 S-C 14-80	16,5	14	80	145	45/3				
	MT 150 S-C 16	16,5	16	45	110	60/3				
150 BR/BS*	MT 150-C 10	16,5	10	45	110	60/3				
	MT 150-C 12	16,5	12	45	110	60/3				
	MT 150-C 14-80	16,5	14	80	145	45/3				
	MT 150-C 16	16,5	16	45	110	60/3				
160 S ÷ 200 RC	MT 200 R-C 10	17,0	10	45	110	30/3				
	MT 200 R-C 16	17,0	16	45	110	30/3				
185 BR/BS*	MT 185-C 10	18,0	10	45	110	30/3				
	MT 185-C 16	18,0	16	45	110	30/3				
200 S ÷ 240 RC	MT 240 R-C 12	19,5	12	50	115	30/3				
	MT 240 R-C 16	19,5	16	50	115	30/3				
240 S ÷ 315 RC	MT 315 R-C 16	21,5	16	50	115	30/3				
240 BR/BS*	MT 240-C 12	20,5	12	45	110	30/3				
	MT 240-C 16	20,5	16	50	115	30/3				
300 BR/BS*	MT 300-C 16	23,0	16	50	115	30/3				
315 S	MT 315 S-C 16	24,0	16	60	130	30/3				

Conductor Format: R = Round, RC = Round Compact, S = Sector, BR = IEC228 (BS6360) Round, BS* = IEC228 (BS6360) Sector
* = Pre-rounding required, consult Cembre for appropriate die set