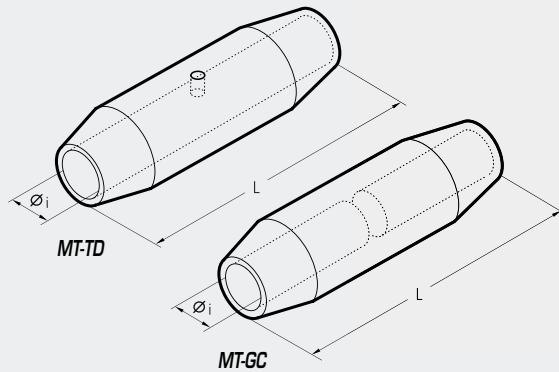


HIGH VOLTAGE COPPER THROUGH CONNECTORS

MT-TD MT-GC



Conductor Size (sqmm) & Format	Ref.	Ref.	Dimensions mm		Quantity Box/Bag	Hydraulic Tools				
			\varnothing_i	L		B35-50	HT 51 RH 50 B 51 B 55	HT 81-U RHU 81	EDM-H3D	RHU 520
25 R/BR/BS*	MT 25-TD	MT 25-GC	6,8	60	90/3	B35-50	HT 51 RH 50 B 51 B 55	HT 81-U RHU 81	EDM-H3D	RHU 520
30 RC/S ÷ 40 S	MT 40 S-TD	MT 40 S-GC	8,2	60	90/3					
30 BR/BS*	MT 35-TD	MT 35-GC	8,2	60	90/3					
50 RC	MT 50 R-TD	MT 50 R-GC	8,7	60	90/3					
50 S	MT 50 S-TD	MT 50 S-GC	9,5	60	90/3					
50 BR/BS*	MT 50-TD	MT 50-GC	9,5	60	90/3					
63 S ÷ 70 S	MT 70 S-TD	MT 70 S-GC	11,0	70	30/3					
70 BR/BS*	MT 70-TD	MT 70-GC	11,0	70	30/3					
80 S ÷ 95 RC	MT 95 R-TD	MT 95 R-GC	12,0	80	30/3					
95 S ÷ 100 S	MT 95 S-TD	MT 95 S-GC	13,5	80	30/3					
95 BR/BS*	MT 95-TD	MT 95-GC	13,5	80	30/3					
120 RC/S ÷ 150 RC	MT 150 R-TD	MT 150 R-GC	15,0	80	30/3					
120 BR/BS*	MT 120-TD	MT 120-GC	15,0	80	30/3					
150 S ÷ 160 RC	MT 150 S-TD	MT 150 S-GC	16,5	80	21/3					
150 BR/BS*	MT 150-TD	MT 150-GC	16,5	80	30/3					
160 S ÷ 200 RC	MT 200 R-TD	MT 200 R-GC	17,0	100	30/3					
185 BR/BS*	MT 185-TD	MT 185-GC	18,0	100	30/3					
200 S ÷ 240 RC	MT 240 R-TD	MT 240 R-GC	19,2	100	30/3					
240 S ÷ 315 RC	MT 315 R-TD	MT 315 R-GC	21,5	100	30/3					
240 BR/BS*	MT 240-TD	MT 240-GC	20,5	100	30/3					
300 BR/BS*	MT 300-TD	MT 300-GC	23,0	100	30/3					
315 S	MT 315 S-TD	MT 315 S-GC	23,7	100	30/3					
400 BR/BS*	MT 400-TD	MT 400-GC	27,0	120	15/3					
500 R	MT 500-TD		30,3	118	15/3					
600 R ÷ 630 R	MT 630-TD		33,4	130	9/3					

Conductor Format: R = Round, RC = Round Compact, S = Sector, BR = IEC228 (BS6360) Round, BS* = IEC228 (BS6360) Sector
* = Pre-rounding required, consult Cembre for appropriate die set

MT-TD and MT-GC series connectors are designed to join conductors in high voltage applications up to 33 kV.

They are manufactured from high purity copper, annealed and tin plated.

MT-GC series feature a solid stop which forms a barrier between the two conductors being joined, this prevents the migration of oils or greases, which may be present, in one cable contaminating the other cable.

MT-TD connectors are unblocked and are suitable for joining cables of the same type.