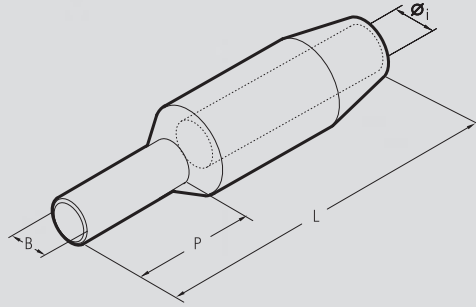


## MT-C



MT-C series connectors are designed for high voltage applications up to 33 kV. They are manufactured from high purity copper, annealed and tin plated. The extended barrel enhances both electrical and mechanical performance. The stalk or pin makes these connectors ideal for terminating conductors into contact blocks.

Conductor Size sqmm	Ref.	Dimensions mm				Quantity Box/Bag	Hydraulic Tools		
		Øi	B	P	L				
25 R	MT 25-C 8	6,8	8	35	80	90/3	HT 81-J RHU 81	HT 120 and tools and heads with 130 kN crimping force	ECW-H3D RHU 520
30 RC/S ÷ 40 S	MT 40 S-C 8	8,2	8	35	80	90/3			
	MT 40 S-C 10	8,2	10	35	80	90/3			
	MT 40 S-C 14-80	8,2	14	80	123	30/3			
50 RC	MT 50 R-C 8	8,8	8	35	80	90/3			
	MT 50 R-C 10	8,8	10	35	80	90/3			
	MT 50 S-C 8	9,5	8	35	80	90/3			
50 S	MT 50 S-C 10	9,5	10	35	80	90/3			
	MT 50 S-C 14-80	9,5	14	80	123	30/3			
	MT 70 S-C 10	11,2	10	35	90	30/3			
63 S ÷ 70 S	MT 95 R-C 10	12,0	10	45	110	60/3			
	MT 95 R-C 12	12,0	12	45	110	60/3			
	MT 95 S-C 10	13,5	10	45	110	60/3			
80 S ÷ 95 RC	MT 95 S-C 12	13,5	12	45	110	60/3			
	MT 95 S-C 14-80	13,5	14	80	145	60/3			
	MT 150 R-C 12	15,0	12	45	110	60/3			
120 RC/S ÷ 150 RC	MT 150 R-C 16	15,0	16	45	110	30/3			
	MT 150 S-C 12	16,5	12	45	110	60/3			
	MT 150 S-C 14-80	16,5	14	80	145	45/3			
150 S ÷ 160 RC	MT 150 S-C 16	16,5	16	45	110	60/3			
	MT 200 R-C 10	17,0	10	45	110	30/3			
	MT 200 R-C 16	17,0	16	45	110	30/3			
160 S ÷ 200 RC	MT 240 R-C 12	19,5	12	50	115	30/3			
	MT 240 R-C 16	19,5	16	50	115	30/3			
	MT 315 R-C 16	21,5	16	50	115	30/3			
200 S ÷ 240 RC	MT 315 S-C 16	24,0	16	60	130	30/3			

R = Round conductors RC = Round Compact conductors S = Sector shaped conductors