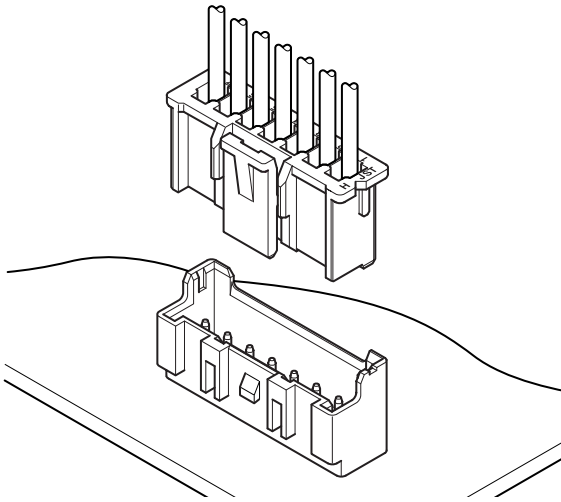




# XA CONNECTOR

2.5mm pitch/Disconnectable Crimp style connectors



- Locking device
- Solder crack preventive material
- Low insertion force
- Insertion guide mechanism
- Applicable to automatic board mounting machine
- Polarizing boss

## Specifications

- Current rating: 3A AC DC (AWG #22, #20)
- Voltage rating: 250V AC DC
- Temperature range: -25°C to +85°C  
(including temperature rise in applying electrical current)
- Contact resistance: Initial value/10m Ω max.  
After environmental testing/20m Ω max.
- Insulation resistance: 1,000M Ω min.
- Withstanding voltage: 1,000V AC/minute
- Applicable wire: AWG #28 to #20
- Applicable PC board thickness: 1.6mm
- \* RoHS compliant products are published.
- \* Refer to "General Instruction and Notice when using Terminals and Connectors" at the end of this catalog.
- \* Contact JST for details.

## Standards

Ⓜ Recognized E60389

Ⓢ Certified LR20812

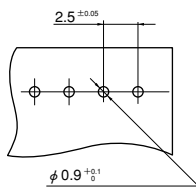
Ⓜ R9851220

## PC board layout (viewed from component side) and Assembly layout

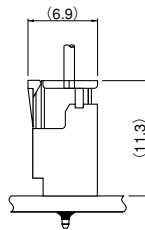
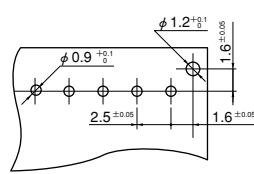
### <Through-hole type>

#### Top entry type

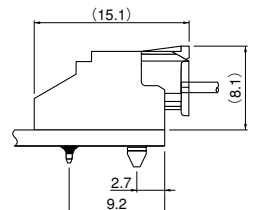
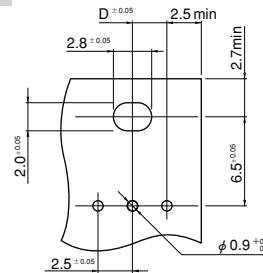
without a boss



with a boss



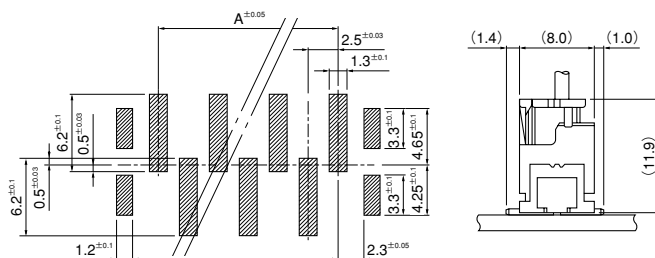
#### Side entry type



Dimension D: Refer to the Model No. chart of header side entry type.

### <SMT type>

#### Top entry type

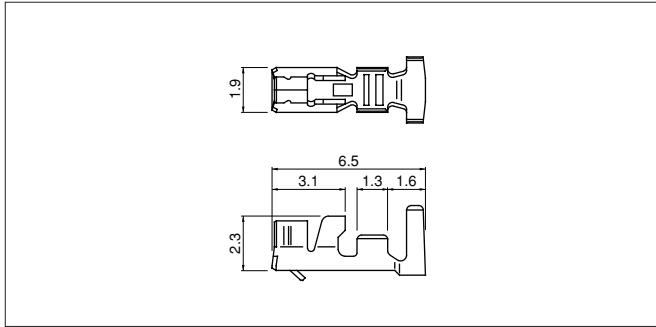


Note: 1. Tolerances are non-cumulative: ±0.05mm for all centers.

2. Hole dimensions differ according to the kind of PC board and piercing method. The dimensions above should serve as a guideline. Contact JST for details.

# XA CONNECTOR

## Contact



Model No.	Applicable wire			Q'ty / reel
	mm <sup>2</sup>	AWG#	Insulation O.D. (mm)	
<b>SXA-001T-P0.6</b>	0.08 ~ 0.33	28~22	1.2~1.9	8,000
<b>SXA-01T-P0.6</b>	0.22 ~ 0.5	24~20	1.5~1.9	8,000
<b>SXA-001T-P0.6L</b>	0.13 ~ 0.33	26~22	1.3~1.7	8,000

### Material and Finish

Phosphor bronze, tin-plated (reflow treatment)

### RoHS compliance

Note : 1. SXA-001T-P0.6L is low-insertion force type contact, for easier insertion/withdrawal, which would be less resistant to the vibration. The crimp height is different from the standard contact.  
2. Contact JST for gold-plated products.

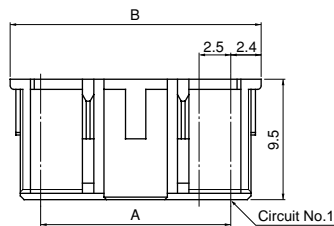
Contact	Crimping machine	Applicator		
		Crimp applicator	Dies	Crimp applicator with dies
<b>SXA-001T-P0.6</b>	AP-K2N	MKS-L	MK/SXA/M-001-06	APLMK SXA/M001-06
		*MKS-SC	SC/SXA/M-001-06	APLSC SXA/M001-06
<b>SXA-001T-P0.6L</b>		MKS-L	MK/SXA-001-06L	APLMK SXA001-06L
		*MKS-SC	SC/SXA-001-06L	APLSC SXA001-06L

Contact	Crimping machine	Applicator		
		Crimp applicator	Dies	Crimp applicator with dies
<b>SXA-01T-P0.6</b>	AP-K2N	MKS-L	MK/SXA/M-01-06	APLMK SXA/M01-06
		*MKS-SC	SC/SXA/M-01-06	APLSC SXA/M01-06

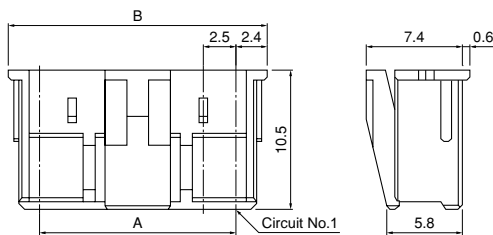
Note: \*Strip-crimp applicator

## Housing

### Standard type



### Retainer mountable type



Circuits	Model No.		Dimensions (mm)		Q'ty / bag	
	Standard type	Retainer mountable type	A	B	Standard type	Retainer mountable type
2	<b>XAP-02V-1</b>	<b>XARP-02V</b>	2.5	7.3	1,000	1,000
3	<b>XAP-03V-1</b>	<b>XARP-03V</b>	5.0	9.8	1,000	1,000
4	<b>XAP-04V-1</b>	<b>XARP-04V</b>	7.5	12.3	1,000	1,000
5	<b>XAP-05V-1</b>	<b>XARP-05V</b>	10.0	14.8	1,000	1,000
6	<b>XAP-06V-1</b>	<b>XARP-06V</b>	12.5	17.3	1,000	1,000
7	<b>XAP-07V-1</b>	<b>XARP-07V</b>	15.0	19.8	1,000	1,000
8	<b>XAP-08V-1</b>	<b>XARP-08V</b>	17.5	22.3	1,000	1,000
9	<b>XAP-09V-1</b>	<b>XARP-09V</b>	20.0	24.8	1,000	1,000
10	<b>XAP-10V-1</b>	<b>XARP-10V</b>	22.5	27.3	1,000	1,000
11	<b>XAP-11V-1</b>	<b>XARP-11V</b>	25.0	29.8	1,000	1,000
12	<b>XAP-12V-1</b>	<b>XARP-12V</b>	27.5	32.3	1,000	1,000
13	<b>XAP-13V-1</b>	<b>XARP-13V</b>	30.0	34.8	1,000	1,000
14	<b>XAP-14V-1</b>	<b>XARP-14V</b>	32.5	37.3	500	1,000
15	<b>XAP-15V-1</b>	<b>XARP-15V</b>	35.0	39.8	500	1,000
18	—	<b>XARP-18V</b>	42.5	47.3	—	500
20	<b>XAP-20V-1</b>	—	47.5	52.3	500	—

### Material

PA 66, UL94V-0, natural (white)

### RoHS compliance

<For reference> As the color identification, the following alphabet shall be put in the underlined part. For availability, delivery and minimum order quantity, contact JST.

<Standard type>

ex. **XAP-02V-1-oo**

(blank)...natural (white)

K...black R...red E...blue Y...yellow L...lemon yellow

M...green O...orange N...brown H...gray P...purple

LE...light blue PK...pink FY...vivid yellow Z...ivory

<Retainer mountable type>

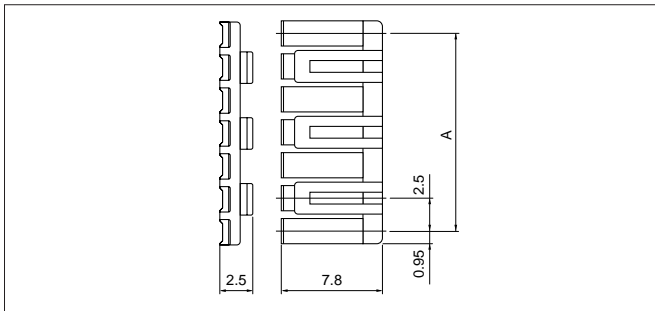
ex. **XARP-02V-oo**

(blank)...natural (white)

K...black R...red E...blue L...lemon yellow

# XA CONNECTOR

## Retainer



### Material

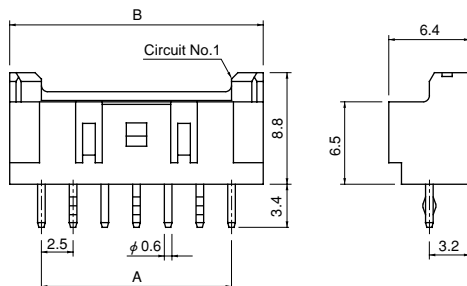
Glass-filled PA 66, UL94V-0, natural (ivory)

RoHS compliance

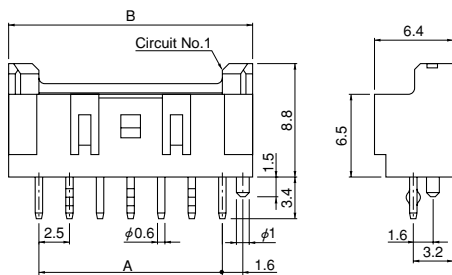
Circuits	Model No.	A	Q'ty / bag
2	<b>XMS-02V</b>	2.5	1,000
3	<b>XMS-03V</b>	5.0	1,000
4	<b>XMS-04V</b>	7.5	1,000
5	<b>XMS-05V</b>	10.0	1,000
6	<b>XMS-06V</b>	12.5	1,000
7	<b>XMS-07V</b>	15.0	1,000
8	<b>XMS-08V</b>	17.5	1,000
9	<b>XMS-09V</b>	20.0	1,000
10	<b>XMS-10V</b>	22.5	1,000
11	<b>XMS-11V</b>	25.0	1,000
12	<b>XMS-12V</b>	27.5	1,000
13	<b>XMS-13V</b>	30.0	1,000
14	<b>XMS-14V</b>	32.5	1,000
15	<b>XMS-15V</b>	35.0	1,000

## Through-hole type shrouded header

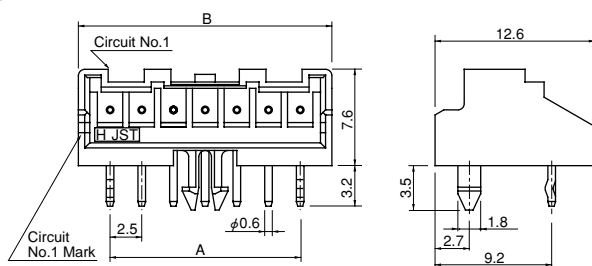
### Top entry type without a boss



### Top entry type with a boss



### Side entry type with a hook



Circuits	Model No.		Dimensions (mm)		Q'ty / box
	Top entry type		A	B	
	Without a boss	With a boss			
2	<b>B02B-XASK-1</b>	<b>B02B-XASK-1-A</b>	2.5	7.5	1,000
3	<b>B03B-XASK-1</b>	<b>B03B-XASK-1-A</b>	5.0	10.0	400
4	<b>B04B-XASK-1</b>	<b>B04B-XASK-1-A</b>	7.5	12.5	400
5	<b>B05B-XASK-1</b>	<b>B05B-XASK-1-A</b>	10.0	15.0	400
6	<b>B06B-XASK-1</b>	<b>B06B-XASK-1-A</b>	12.5	17.5	400
7	<b>B07B-XASK-1</b>	<b>B07B-XASK-1-A</b>	15.0	20.0	250
8	<b>B08B-XASK-1</b>	<b>B08B-XASK-1-A</b>	17.5	22.5	250
9	<b>B09B-XASK-1</b>	<b>B09B-XASK-1-A</b>	20.0	25.0	250
10	<b>B10B-XASK-1</b>	<b>B10B-XASK-1-A</b>	22.5	27.5	250
11	<b>B11B-XASK-1</b>	<b>B11B-XASK-1-A</b>	25.0	30.0	200
12	<b>B12B-XASK-1</b>	<b>B12B-XASK-1-A</b>	27.5	32.5	200
13	<b>B13B-XASK-1</b>	<b>B13B-XASK-1-A</b>	30.0	35.0	100
14	<b>B14B-XASK-1</b>	<b>B14B-XASK-1-A</b>	32.5	37.5	100
15	<b>B15B-XASK-1</b>	<b>B15B-XASK-1-A</b>	35.0	40.0	100
20	<b>B20B-XASK-1</b>	<b>B20B-XASK-1-A</b>	47.5	52.5	100

### Material and Finish

Pin: Copper alloy, copper-undercoated, tin-plated (reflow treatment)  
Wafer: Glass-filled PA 66, UL94V-0, natural (ivory)

RoHS compliance This product displays (LF)(SN) on a label.

Note: Contact JST for gold-plated products.

Circuits	Model No.	Dimensions (mm)			Q'ty / box
	Side entry type with a hook	A	B	D	
2	<b>S02B-XASS-1</b>	2.5	7.5	1.25	250
3	<b>S03B-XASK-1</b>	5.0	10.0	2.50	250
4	<b>S04B-XASK-1</b>	7.5	12.5	3.75	200
5	<b>S05B-XASK-1</b>	10.0	15.0	5.00	200
6	<b>S06B-XASK-1</b>	12.5	17.5	6.25	200
7	<b>S07B-XASK-1</b>	15.0	20.0	7.50	200
8	<b>S08B-XASK-1</b>	17.5	22.5	8.75	100
9	<b>S09B-XASK-1</b>	20.0	25.0	10.00	100
10	<b>S10B-XASK-1</b>	22.5	27.5	11.25	100
11	<b>S11B-XASK-1</b>	25.0	30.0	12.50	100
12	<b>S12B-XASK-1</b>	27.5	32.5	13.75	100
13	<b>S13B-XASK-1</b>	30.0	35.0	15.00	100
14	<b>S14B-XASK-1</b>	32.5	37.5	16.25	100

### Material and Finish

Pin: Copper alloy, copper-undercoated, tin-plated (reflow treatment)  
Wafer: Glass-filled PA 66, UL94V-0, natural (ivory)

RoHS compliance This product displays (LF)(SN) on a label.

Note: 1. Dimension D... See PC board layout.

2. Contact JST for gold-plated products.

<For reference> As the color identification, the following alphabet shall be put in the underlined part.  
For availability, delivery and minimum order quantity, contact JST.

ex. **S02B-XASK-1**

S...natural (ivory)

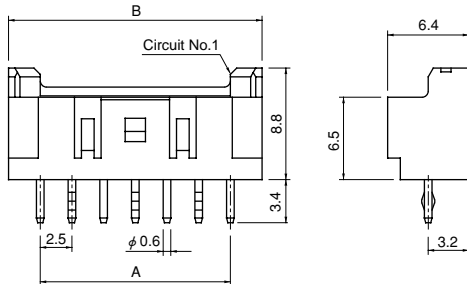
K...black R...red E...blue M...green Y...yellow

# XA CONNECTOR

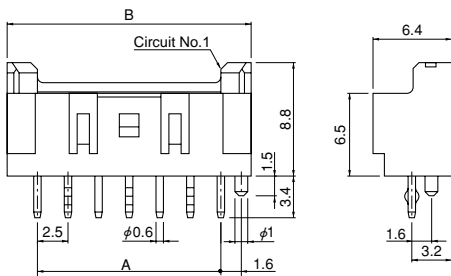
## Through-hole type shrouded header

### N type

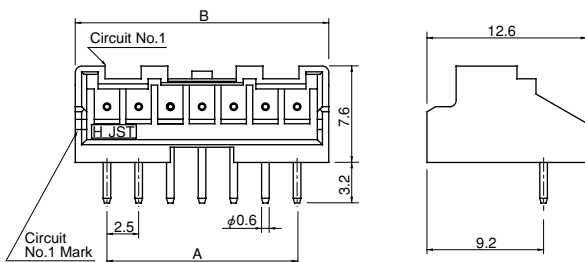
#### Top entry type without a boss



#### Top entry type with a boss



#### Side entry type without a hook



Circuits	Model No.		Dimensions (mm)		Q'ty / box
	Top entry type		A	B	
	Without a boss	With a boss			
2	<b>B02B-XASK-1N</b>	<b>B02B-XASK-1N-A</b>	2.5	7.5	1,000
3	<b>B03B-XASK-1N</b>	<b>B03B-XASK-1N-A</b>	5.0	10.0	400
4	<b>B04B-XASK-1N</b>	<b>B04B-XASK-1N-A</b>	7.5	12.5	400
5	<b>B05B-XASK-1N</b>	<b>B05B-XASK-1N-A</b>	10.0	15.0	400
6	<b>B06B-XASK-1N</b>	<b>B06B-XASK-1N-A</b>	12.5	17.5	400
7	<b>B07B-XASK-1N</b>	<b>B07B-XASK-1N-A</b>	15.0	20.0	250
8	<b>B08B-XASK-1N</b>	<b>B08B-XASK-1N-A</b>	17.5	22.5	250
9	<b>B09B-XASK-1N</b>	<b>B09B-XASK-1N-A</b>	20.0	25.0	250
10	<b>B10B-XASK-1N</b>	<b>B10B-XASK-1N-A</b>	22.5	27.5	250
11	<b>B11B-XASK-1N</b>	<b>B11B-XASK-1N-A</b>	25.0	30.0	200
12	<b>B12B-XASK-1N</b>	<b>B12B-XASK-1N-A</b>	27.5	32.5	200
13	<b>B13B-XASK-1N</b>	<b>B13B-XASK-1N-A</b>	30.0	35.0	100
14	<b>B14B-XASK-1N</b>	<b>B14B-XASK-1N-A</b>	32.5	37.5	100
15	<b>B15B-XASK-1N</b>	<b>B15B-XASK-1N-A</b>	35.0	40.0	100
18	<b>B18B-XASK-1N</b>	—	42.5	47.5	100

#### Material and Finish

Pin: Copper alloy, copper-undercoated, tin-plated (reflow treatment)  
Wafer: Glass-filled PA 66, UL94V-0, natural (white)

**RoHS compliance** This product displays (LF)(SN) on a label.  
Note: Not TÜV approved.

<For reference> As the color identification, the following alphabet shall be put in the underlined part.  
For availability, delivery and minimum order quantity, contact JST.

ex. **B02B-XASK-1N-A**

S...natural (white)

K...black R...red E...blue Y...yellow L...lemon yellow

M...green O...orange N...brown H...gray P...purple

LE...light blue PK...pink FY...vivid yellow

Circuits	Model No.		Dimensions (mm)		Q'ty / box
	Side entry type without a hook		A	B	
2	<b>S02B-XASS-1N-BN</b>		2.5	7.5	250
3	<b>S03B-XASS-1N-BN</b>		5.0	10.0	250
4	<b>S04B-XASS-1N-BN</b>		7.5	12.5	200
5	<b>S05B-XASS-1N-BN</b>		10.0	15.0	200
6	<b>S06B-XASS-1N-BN</b>		12.5	17.5	200
7	<b>S07B-XASS-1N-BN</b>		15.0	20.0	200
8	<b>S08B-XASS-1N-BN</b>		17.5	22.5	100
9	<b>S09B-XASS-1N-BN</b>		20.0	25.0	100
10	<b>S10B-XASS-1N-BN</b>		22.5	27.5	100
11	<b>S11B-XASS-1N-BN</b>		25.0	30.0	100
12	<b>S12B-XASS-1N-BN</b>		27.5	32.5	100
13	<b>S13B-XASS-1N-BN</b>		30.0	35.0	100
14	<b>S14B-XASS-1N-BN</b>		32.5	37.5	100

#### Material and Finish

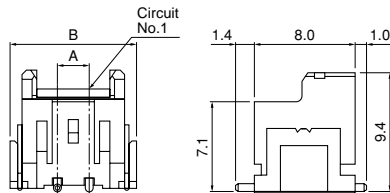
Pin: Copper alloy, copper-undercoated, tin-plated (reflow treatment)  
Wafer: Glass-filled PA 66, UL94V-0, natural (white)

**RoHS compliance** This product displays (LF)(SN) on a label.

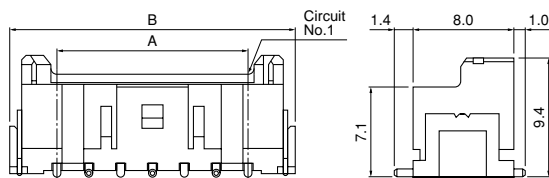
Note: 1. As for side entry type, we recommend to use a product with a boss (hook) because stress is applied directly to fillet part when handling the wire. When using the side entry type product without a boss (hook), please handle the wire with care.  
2. Not TÜV approved.

## SMT type shrouded header

(2 circuits)



(3 to 15 circuits)



Circuits	Model No.	Dimensions (mm)		Q'ty / reel
		A	B	
2	<b>BM02B-XASS-TF</b>	2.5	10.0	500
3	<b>BM03B-XASS-TF</b>	5.0	12.5	500
4	<b>BM04B-XASS-TF</b>	7.5	15.0	500
5	<b>BM05B-XASS-TF</b>	10.0	17.5	500
6	<b>BM06B-XASS-TF</b>	12.5	20.0	500
7	<b>BM07B-XASS-TF</b>	15.0	22.5	500
8	<b>BM08B-XASS-TF</b>	17.5	25.0	500
9	<b>BM09B-XASS-TF</b>	20.0	27.5	500
12	<b>BM12B-XASS-TF</b>	27.5	35.0	500
13	<b>BM13B-XASS-TF</b>	30.0	37.5	500
15	<b>BM15B-XASS-TF</b>	35.0	42.5	500

### Material and Finish

Pin: Copper alloy, copper-undercoated, tin-plated (reflow treatment)  
 Wafer: PA, UL94V-0, natural  
 Solder tab: Brass, copper-undercoated, tin-plated (reflow treatment)

**RoHS compliance** This product displays (LF)(SN) on a label.

<For reference> As the color identification, the following alphabet shall be put in the underlined part. For availability, delivery and minimum order quantity, contact JST.

ex. **BM02B-XASS-TF**

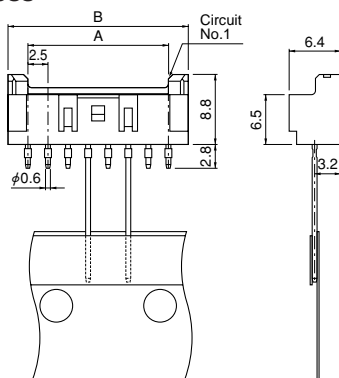
S...natural

K...black R...red E...blue M...green D...orange

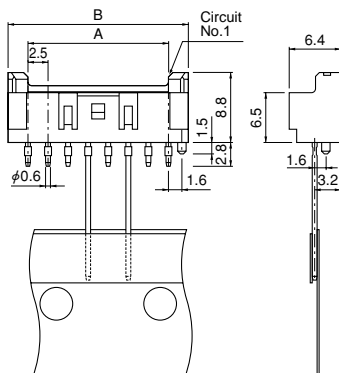
L...lemon yellow

## Through-hole type shrouded header on radial-tape

Top entry type without a boss



Top entry type with a boss



Circuits	Model No.		Dimensions (mm)		Q'ty / box
	Top entry type without a boss	Top entry type with a boss	A	B	
2	<b>B02B-XASS-1-T</b>	—	2.5	7.5	1,000
3	<b>B03B-XASS-1-T</b>	<b>B03B-XASS-1-A-T</b>	5.0	10.0	1,000
4	<b>B04B-XASS-1-T</b>	<b>B04B-XASS-1-A-T</b>	7.5	12.5	500
5	<b>B05B-XASS-1-T</b>	<b>B05B-XASS-1-A-T</b>	10.0	15.0	500
6	<b>B06B-XASS-1-T</b>	<b>B06B-XASS-1-A-T</b>	12.5	17.5	500
7	<b>B07B-XASS-1-T</b>	<b>B07B-XASS-1-A-T</b>	15.0	20.0	500
8	<b>B08B-XASS-1-T</b>	<b>B08B-XASS-1-A-T</b>	17.5	22.5	500

### Material and Finish

Pin: Copper alloy, copper-undercoated, tin-plated (reflow treatment)  
 Wafer: Glass-filled PA 66, UL94V-0, natural (ivory)

**RoHS compliance** This product displays (LF)(SN) on a label.

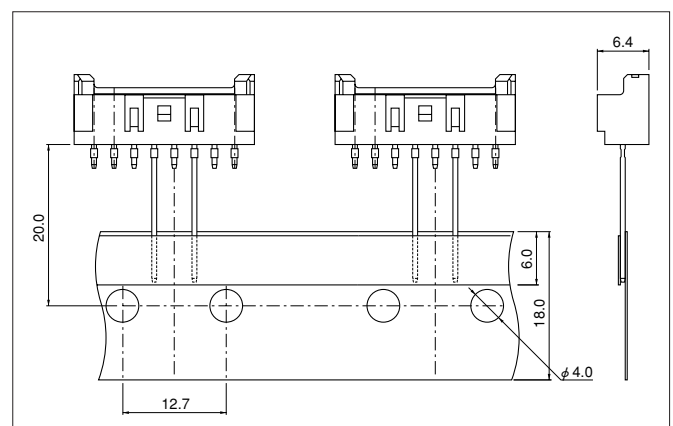
<For reference> As the color identification, the following alphabet shall be put in the underlined part. For availability, delivery and minimum order quantity, contact JST.

ex. **B03B-XASS-1-A-T**

S...natural (ivory)

R...red E...blue M...green

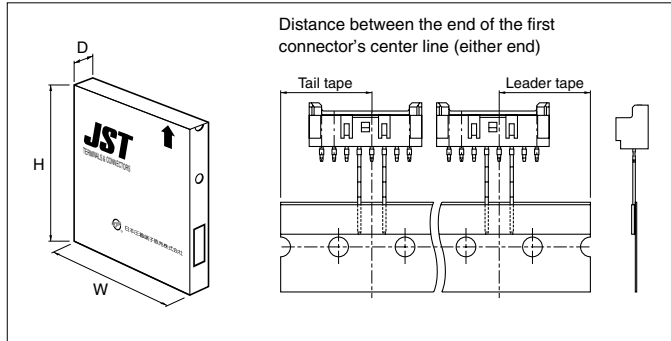
## Taping specifications



Note: Conforms to JIS C 0806.

# XA CONNECTOR

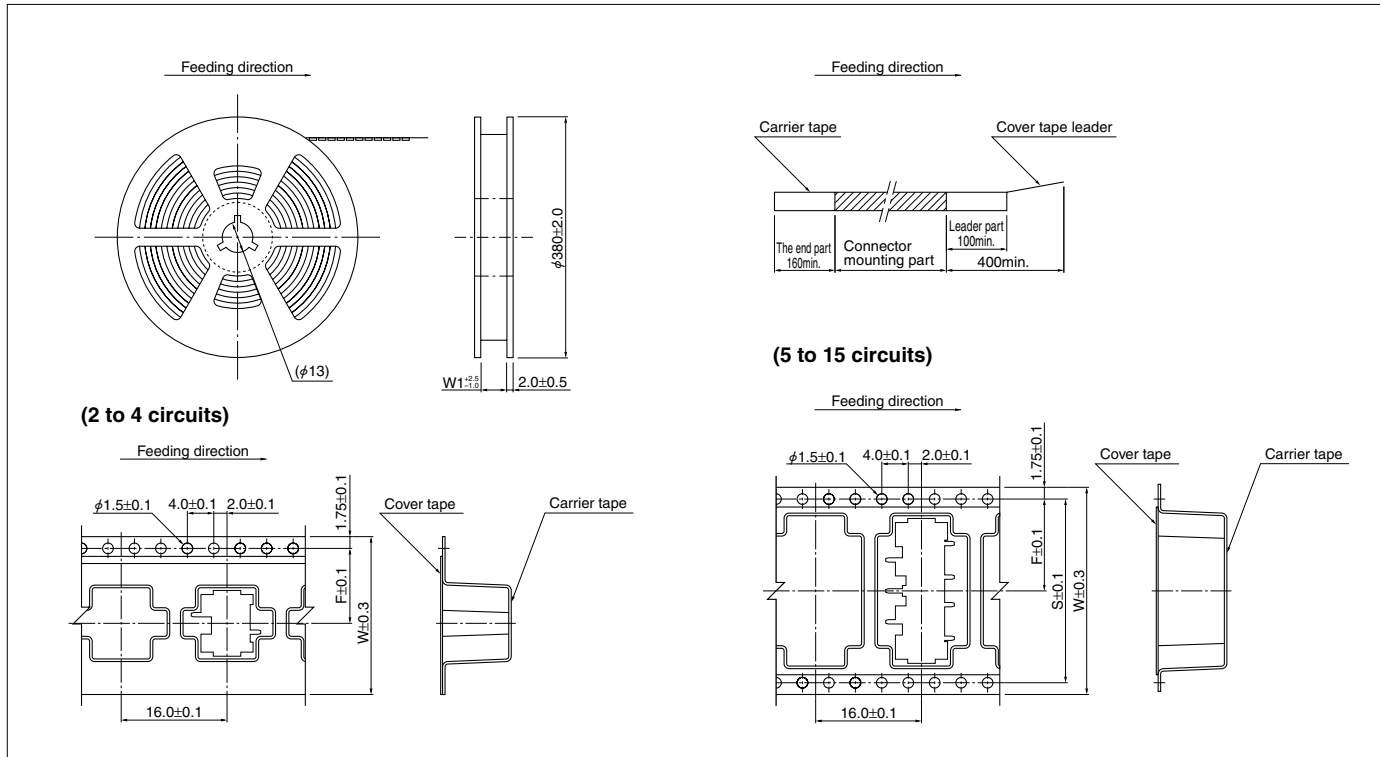
## Packaging specifications of through-hole type shrouded header



Package type	Flat pack (zigzag folded)
Distance between folds	24 indexing holes per fold (304.8mm)
Box size	316(W)×45(D)×330(H)mm
Distance between the end of the tape and the first connector's center line (either end)	19.05mm

Note: Products of different packaging specifications are also available. Contact JST for details.

## Taping specifications of SMT type shrouded header



Circuits	Taping dimensions (mm)			Reel dimensions (mm)	Q'ty / reel
	F	S	W	W1	
2 to 4	11.5	—	24.0	25.5	500
5	14.2	28.4	32.0	33.5	500
6 to 9	20.2	40.4	44.0	45.5	500
12 to 15	26.2	52.4	56.0	57.5	500

**Note:**

- Specifications conform to JIS C 0806. The tape width, connector recess dimensions, etc. are determined by the number of circuits and external shape of the connector to be loaded.
- Specifications are subject to change without prior notice.