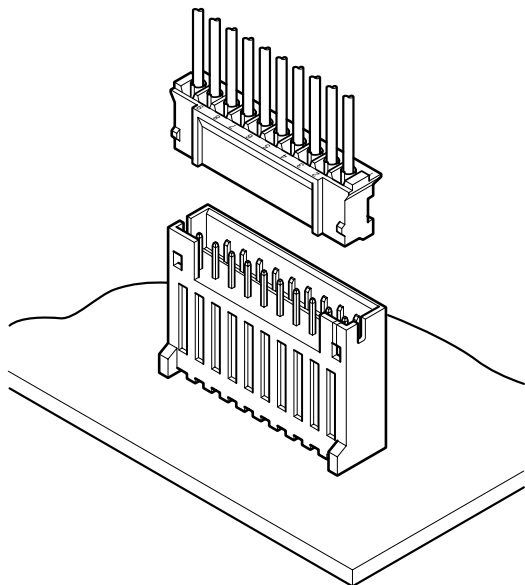


PH CONNECTOR <High box type>

2.0mm pitch/Disconnectable Crimp style connectors



PH connector high box type, with 17.0mm mounting height and with 4.5mm thickness.

- **Interchangeability**

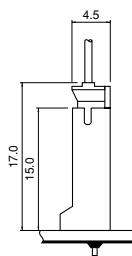
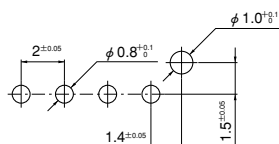
Specifications

- Current rating: 2A AC, DC (AWG #24)
- Voltage rating: 100V AC, DC
- Temperature range: -25°C to +85°C
(including temperature rise in applying electrical current)
- Contact resistance: Initial value/10m Ω max.
After environmental testing/20m Ω max.
- Insulation resistance: 1,000M Ω min.
- Withstanding voltage: 800V AC/minute
- Applicable wire: AWG #30 to #24
- Applicable PC board thickness: 0.8 to 1.6mm
- * RoHS compliant products are published.
- * Refer to "General Instruction and Notice when using Terminals and Connectors" at the end of this catalog.
- * Contact JST for details.

Standards

- Ⓜ Recognized E60389
- Ⓢ Certified LR20812
- Ⓡ R75087

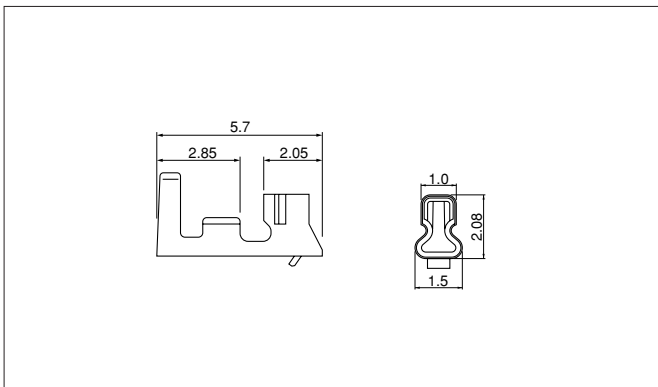
PC board layout (viewed from component side) and Assembly layout



Note: 1. Tolerances are non-cumulative: ±0.05mm for all centers.

2. Hole dimensions differ according to the kind of PC board and piercing method. If PC boards made of hard material are used, the hole dimensions should be larger. The hole dimensions shown above are reference values. Contact JST for details.

Contact



Model No.	Applicable wire		Insulation O.D. (mm)	Qty / reel
	mm ²	AWG #		
SPH-002T-P0.5S	0.05 ~ 0.22	30~24	0.9~1.5	8,000

Material and Finish

Phosphor bronze, tin-plated (reflow treatment)

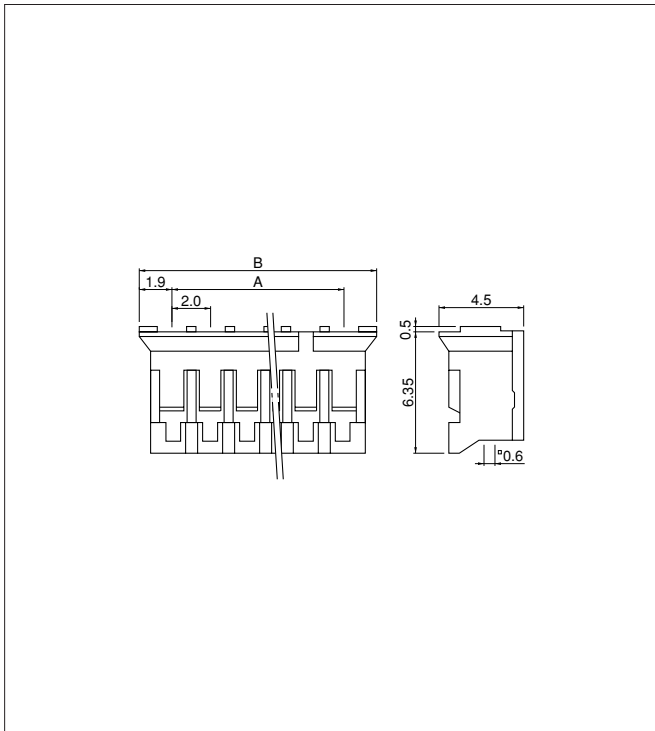
RoHS compliance

Contact	Crimping machine	Applicator		
		Crimp applicator	Dies	Crimp applicator with dies
SPH-002T-P0.5S	AP-K2N	MKS-LS · MKS-L	MK/SPH-002-05S	APLMK SPH002-05S
		*MKS-SC	SC/SPH-002-05S	APLSC SPH002-05S

Note: *Strip-crimp applicator

PH CONNECTOR (High box type)

Housing



Cir- cuits	Model No.	Dimensions (mm)		Q'ty / box
		A	B	
2	PHR-2	2.0	5.8	1,000
3	PHR-3	4.0	7.8	1,000
4	PHR-4	6.0	9.8	1,000
5	PHR-5	8.0	11.8	1,000
6	PHR-6	10.0	13.8	1,000
7	PHR-7	12.0	15.8	1,000
8	PHR-8	14.0	17.8	1,000
9	PHR-9	16.0	19.8	1,000
10	PHR-10	18.0	21.8	1,000
11	PHR-11	20.0	23.8	1,000
12	PHR-12	22.0	25.8	1,000
13	PHR-13	24.0	27.8	1,000

Material

PA 66, UL94V-0, natural (white)

RoHS compliance

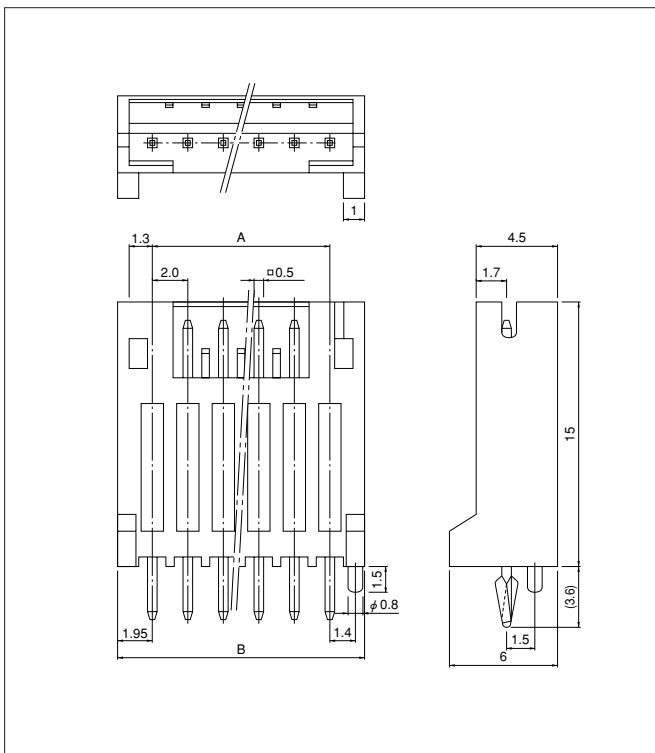
<For reference> As the color identification, the following alphabet shall be put in the underlined part. For availability, delivery and minimum order quantity, contact JST.

ex. **PHR-2-oo**

(blank)...natural (white)

BK...black R...red TR...tomato red BL...blue Y...yellow
L...lemon yellow M...green D...orange N...brown P...purple
PK...pink H...gray LE...light blue FY...vivid yellow

Shrouded header



Cir- cuits	Model No.	Dimensions (mm)		Q'ty / box
		A	B	
2	BH2B-PH	2.0	5.9	800
3	BH3B-PH	4.0	7.9	480
4	BH4B-PH	6.0	9.9	400
5	BH5B-PH	8.0	11.9	390
6	BH6B-PH	10.0	13.9	300
7	BH7B-PH	12.0	15.9	240
8	BH8B-PH	14.0	17.9	240
9	BH9B-PH	16.0	19.9	200
10	BH10B-PH	18.0	21.9	200
11	BH11B-PH	20.0	23.9	150
12	BH12B-PH	22.0	25.9	150
13	BH13B-PH	24.0	27.9	100

Material and Finish

Post: Copper alloy, copper-undercoated, tin-plated (reflow treatment)
Wafer: PA 66, UL94V-0, natural (white)

RoHS compliance

This product displays (LF)(SN) on a label. <For reference> As the color identification, the following alphabet shall be put in the underlined part. For availability, delivery and minimum order quantity, contact JST.

ex. **BH2B-PH-oo**

(blank)...natural (white)

K...black R...red E...blue Y...yellow M...green N...brown