

**HelaGuard
HG-S Straight, IP66**

Straight external thread.

Features and Benefits

- One piece, fast fit
- High pull-off strength
- Highly resistant to solvents and oils
- Free of halogen, sulphur and phosphorus
- Metric threads supplied with locknuts



HelaGuard HG-S Straight, IP66.

**Fittings with UNEF
and NPT threads
available on request.
Please contact us!**

Technical Table

Article-No.	Type	Conduit Ø	Thread Size (metric)	Thread Size (PG)	Pack Cont.
166-21000	HG10-S-M12	10	M12	–	10
166-21020	HG10-S-M16	10	M16	–	10
166-21010	HG10-S-PG7	10	–	PG7	10
166-21031	HG10-S-PG9	10	–	PG9	10
166-21021	HG11-S-M12	11	M12	–	10
166-21032	HG11-S-PG7	11	–	PG7	10
166-21022	HG13-S-M12	13	M12	–	10
166-21001	HG13-S-M16	13	M16	–	10
166-21023	HG13-S-M20	13	M20	–	10
166-21033	HG13-S-PG7	13	–	PG7	10
166-21011	HG13-S-PG9	13	–	PG9	10
166-21034	HG13-S-PG11	13	–	PG11	10
166-21002	HG16-S-M16	16	M16	–	10
166-21003	HG16-S-M20	16	M20	–	10
166-21035	HG16-S-PG9	16	–	PG9	10
166-21012	HG16-S-PG11	16	–	PG11	10
166-21013	HG16-S-PG13	16	–	PG13.5	10
166-21036	HG16-S-PG16	16	–	PG16	10
166-21024	HG18-S-M20	18	M20	–	10
166-21037	HG18-S-PG13	18	–	PG13.5	10
166-21038	HG18-S-PG16	18	–	PG16	10
166-21025	HG20-S-M20	20	M20	–	10
166-21004	HG21-S-M20	21	M20	–	10
166-21039	HG21-S-PG13	21	–	PG13.5	10
166-21014	HG21-S-PG16	21	–	PG16	10
166-21040	HG21-S-PG21	21	–	PG21	10
166-21026	HG25-S-M25	25	M25	–	10
166-21005	HG28-S-M25	28	M25	–	10
166-21027	HG28-S-M32	28	M32	–	10
166-21015	HG28-S-PG21	28	–	PG21	10
166-21041	HG28-S-PG29	28	–	PG29	10
166-21006	HG34-S-M32	34	M32	–	10
166-21028	HG34-S-M40	34	M40	–	10
166-21016	HG34-S-PG29	34	–	PG29	10
166-21007	HG42-S-M40	42	M40	–	2
166-21029	HG42-S-M50	42	M50	–	10
166-21017	HG42-S-PG36	42	–	PG36	2
166-21008	HG54-S-M50	54	M50	–	2
166-21030	HG54-S-M63	54	M63	–	10
166-21042	HG54-S-PG42	54	–	PG42	2
166-21018	HG54-S-PG48	54	–	PG48	2
166-21009	HG67-S-M63	67	M63	–	1
166-21019	HG67-S-PG48	67	–	PG48	1


All dimensions in mm. Subject to technical changes.

Colour grey available on request.

Material Data

Material	Polyamide 6.6 (PA66)
Colour	Black (BK)
Operating Temperature	-50 °C to +135 °C
Flammability	UL94 V2



 Please note: for product specific approvals, please contact HellermannTyton.

**HelaGuard
HGL-S Straight, IP68**

Straight external thread with conduit seal and washer.

Fulfils IP66, IP67, IP68 and IP69k.

Features and Benefits

- One piece, fast fit
- High pull-off strength
- Highly resistant to solvents and oils
- Free of halogen, sulphur and phosphorus
- Metric threads supplied with locknuts



HelaGuard HGL-S Straight with conduit seal, IP68.

Technical Table

Article-No.	Type	Conduit Ø	Thread Size (metric)	Thread Size (PG)	Pack Cont.
166-21600	HGL13-S-M16	13	M16	–	10
166-21608	HGL13-S-PG9	13	–	PG9	10
166-21601	HGL16-S-M16	16	M16	–	10
166-21602	HGL16-S-M20	16	M20	–	10
166-21623	HGL16-S-PG9	16	–	PG9	10
166-21609	HGL16-S-PG11	16	–	PG11	10
166-21610	HGL16-S-PG13	16	–	PG13.5	10
166-21624	HGL16-S-PG16	16	–	PG16	10
166-21603	HGL21-S-M20	21	M20	–	10
166-21625	HGL21-S-PG13	21	–	PG13.5	10
166-21611	HGL21-S-PG16	21	–	PG16	10
166-21626	HGL21-S-PG21	21	–	PG21	10
166-21604	HGL28-S-M25	28	M25	–	10
166-21619	HGL28-S-M32	28	M32	–	10
166-21612	HGL28-S-PG21	28	–	PG21	10
166-21627	HGL28-S-PG29	28	–	PG29	10
166-21605	HGL34-S-M32	34	M32	–	10
166-21620	HGL34-S-M40	34	M40	–	10
166-21613	HGL34-S-PG29	34	–	PG29	10
166-21606	HGL42-S-M40	42	M40	–	2
166-21621	HGL42-S-M50	42	M50	–	2
166-21614	HGL42-S-PG36	42	–	PG36	2
166-21607	HGL54-S-M50	54	M50	–	2
166-21622	HGL54-S-M63	54	M63	–	2
166-21628	HGL54-S-PG42	54	–	PG42	2
166-21616	HGL54-S-PG48	54	–	PG48	2

All dimensions in mm. Subject to technical changes.

Colour grey available on request.

Fittings with UNEF and NPT threads available on request. Please contact us!

Material Data

Material	Polyamide 6.6 (PA66)
Colour	Black (BK)
Operating Temperature	-50 °C to +135 °C
Flammability	UL94 V2



Please note: for product specific approvals, please contact HellerMannTyton.

**HelaGuard
HG-90 90° Elbow, IP66**

90° elbow external thread.

Features and Benefits

- One piece, fast fit
- High pull-off strength
- Highly resistant to solvents and oils
- Free of halogen, sulphur and phosphorus
- Metric threads supplied with locknuts



HelaGuard HG-90 90° Elbow, IP66.

Technical Table

Article-No.	Type	Conduit Ø	Thread Size (metric)	Thread Size (PG)	Pack Cont.
166-22200	HG10-90-M12	10	M12	–	10
166-22210	HG10-90-PG7	10	–	PG7	10
166-22220	HG11-90-M12	11	M12	–	10
166-22201	HG13-90-M16	13	M16	–	10
166-22211	HG13-90-PG9	13	–	PG9	10
166-22202	HG16-90-M16	16	M16	–	10
166-22203	HG16-90-M20	16	M20	–	10
166-22225	HG16-90-PG9	16	–	PG9	10
166-22212	HG16-90-PG11	16	–	PG11	10
166-22213	HG16-90-PG13	16	–	PG13.5	10
166-22226	HG18-90-PG13	18	–	PG13.5	10
166-22221	HG20-90-M20	20	M20	–	10
166-22204	HG21-90-M20	21	M20	–	10
166-22227	HG21-90-PG13	21	–	PG13.5	10
166-22214	HG21-90-PG16	21	–	PG16	10
166-22222	HG25-90-M25	25	M25	–	10
166-22205	HG28-90-M25	28	M25	–	10
166-22215	HG28-90-PG21	28	–	PG21	10
166-22206	HG34-90-M32	34	M32	–	10
166-22216	HG34-90-PG29	34	–	PG29	10
166-22207	HG42-90-M40	42	M40	–	2
166-22223	HG42-90-M50	42	M50	–	10
166-22217	HG42-90-PG36	42	–	PG36	2
166-22208	HG54-90-M50	54	M50	–	2
166-22224	HG54-90-M63	54	M63	–	10
166-22218	HG54-90-PG48	54	–	PG48	2
166-22209	HG67-90-M63	67	M63	–	1
166-22219	HG67-90-PG48	67	–	PG48	1

All dimensions in mm. Subject to technical changes.

Colour grey available on request.

Fittings with UNEF and NPT threads available on request. Please contact us!

Material Data

Material	Polyamide 6.6 (PA66)
Colour	Black (BK)
Operating Temperature	-50 °C to +135 °C
Flammability	UL94 V2



Please note: for product specific approvals, please contact HellermannTyton.

**HelaGuard
HGL-90 90° Elbow, IP68**

90° elbow, external thread with conduit seal and washer.

Fulfils IP66, IP67, IP68 and IP69k.

Features and Benefits

- One piece, fast fit
- High pull-off strength
- Highly resistant to solvents and oils
- Free of halogen, sulphur and phosphorus
- Metric threads supplied with locknuts



HelaGuard HGL-90 90° Elbow with conduit seal, IP68.

Technical Table

Article-No.	Type	Conduit Ø	Thread Size (metric)	Thread Size (PG)	Pack Cont.
166-22800	HGL13-90-M16	13	M16	–	10
166-22808	HGL13-90-PG9	13	–	PG9	10
166-22801	HGL16-90-M16	16	M16	–	10
166-22802	HGL16-90-M20	16	M20	–	10
166-22820	HGL16-90-PG9	16	–	PG9	10
166-22809	HGL16-90-PG11	16	–	PG11	10
166-22810	HGL16-90-PG13	16	–	PG13.5	10
166-22803	HGL21-90-M20	21	M20	–	10
166-22821	HGL21-90-PG13	21	–	PG13.5	10
166-22811	HGL21-90-PG16	21	–	PG16	10
166-22804	HGL28-90-M25	28	M25	–	10
166-22812	HGL28-90-PG21	28	–	PG21	10
166-22805	HGL34-90-M32	34	M32	–	10
166-22813	HGL34-90-PG29	34	–	PG29	10
166-22806	HGL42-90-M40	42	M40	–	2
166-22818	HGL42-90-M50	42	M50	–	2
166-22814	HGL42-90-PG36	42	–	PG36	2
166-22807	HGL54-90-M50	54	M50	–	2
166-22819	HGL54-90-M63	54	M63	–	2
166-22815	HGL54-90-PG48	54	–	PG48	2

All dimensions in mm. Subject to technical changes.
Colour grey available on request.

Fittings with UNEF and NPT threads available on request. Please contact us!

Material Data

Material	Polyamide 6.6 (PA66)
Colour	Black (BK)
Operating Temperature	-50 °C to +135 °C
Flammability	UL94 V2



Please note: for product specific approvals, please contact HellermannTyton.

**HelaGuard
HG-45 45° Elbow, IP66**

45° elbow external thread.

Features and Benefits

- One piece, fast fit
- High pull-off strength
- Highly resistant to solvents and oils
- Free of halogen, sulphur and phosphorus
- Metric threads supplied with locknuts



HelaGuard HG-45 45° Elbow, IP66.

**Fittings with UNEF
and NPT threads
available on request.
Please contact us!**

Technical Table

Article-No.	Type	Conduit Ø	Thread Size (metric)	Thread Size (PG)	Pack Cont.
166-23400	HG16-45-M20	16	M20	–	10
166-23406	HG16-45-PG13	16	–	PG13	10
166-23401	HG21-45-M20	21	M20	–	10
166-23407	HG21-45-PG13	21	–	PG13.5	10
166-23408	HG21-45-PG16	21	–	PG16	10
166-23402	HG28-45-M25	28	M25	–	10
166-23409	HG28-45-PG21	28	–	PG21	10
166-23403	HG34-45-M32	34	M32	–	10
166-23410	HG34-45-PG29	34	–	PG29	10
166-23404	HG42-45-M50	42	M50	–	2
166-23411	HG42-45-PG36	42	–	PG36	2
166-23405	HG54-45-M50	54	M50	–	2

All dimensions in mm. Subject to technical changes.

Colour grey available on request.

Material Data

Material	Polyamide 6.6 (PA66)
Colour	Black (BK)
Operating Temperature	-50 °C to +135 °C
Flammability	UL94 V2



Technical Table

Article-No.	Type	Conduit Ø	Thread Size (metric)	Thread Size (PG)	Pack Cont.
166-24000	HGL16-45-M20	16	M20	–	10
166-24006	HGL16-45-PG13	16	–	PG13.5	10
166-24001	HGL21-45-M20	21	M20	–	10
166-24007	HGL21-45-PG13	21	–	PG13.5	10
166-24008	HGL21-45-PG16	21	–	PG16	10
166-24002	HGL28-45-M25	28	M25	–	10
166-24009	HGL28-45-PG21	28	–	PG21	10
166-24003	HGL34-45-M32	34	M32	–	10
166-24010	HGL34-45-PG29	34	–	PG29	10
166-24004	HGL42-45-M50	42	M50	–	2
166-24011	HGL42-45-PG36	42	–	PG36	2
166-24005	HGL54-45-M50	54	M50	–	2

All dimensions in mm. Subject to technical changes.

Colour grey available on request.

**HelaGuard
HGL-45 45° Elbow, IP68**

45° elbow external thread with conduit seal and washer.

Fulfils IP66, IP67, IP68 and IP69k.

Features and Benefits

- One piece, fast fit
- High pull-off strength
- Highly resistant to solvents and oils
- Free of halogen, sulphur and phosphorus
- Metric threads supplied with locknuts



HelaGuard HGL-45 45° Elbow with conduit seal, IP68.



Please note: for product specific approvals, please contact HellerMannTyton.

**HelaGuard
HG-SM Straight Swivel External
Thread, IP66**

Straight swivel brass external thread.

Features and Benefits

- One piece, fast fit
- High pull-off strength
- Highly resistant to solvents and oils
- Free of halogen, sulphur and phosphorus



HelaGuard HG-SM Straight Swivel External Thread, IP66.

Technical Table

Article-No.	Type	Conduit Ø	Thread Size (metric)	Thread Size (PG)	Pack Cont.
166-21300	HG13-SM-M16	13	M16	–	10
166-21309	HG13-SM-PG9	13	–	PG9	10
166-21301	HG16-SM-M16	16	M16	–	10
166-21302	HG16-SM-M20	16	M20	–	10
166-21310	HG16-SM-PG9	16	–	PG9	10
166-21311	HG16-SM-PG11	16	–	PG11	10
166-21303	HG21-SM-M20	21	M20	–	10
166-21312	HG21-SM-PG13	21	–	PG13.5	10
166-21313	HG21-SM-PG16	21	–	PG16	10
166-21304	HG28-SM-M25	28	M25	–	10
166-21314	HG28-SM-PG21	28	–	PG21	10
166-21305	HG34-SM-M32	34	M32	–	10
166-21315	HG34-SM-PG29	34	–	PG29	10
166-21306	HG42-SM-M40	42	M40	–	2
166-21307	HG54-SM-M50	54	M50	–	2
166-21308	HG67-SM-M63	67	M63	–	1

All dimensions in mm. Subject to technical changes.

Colour grey available on request.

Material Data

Material	Polyamide 6.6 (PA66), Nickel Plated Brass (NPB)
Colour	Black (BK)
Operating Temperature	-50 °C to +135 °C
Flammability	UL94 V2



**HelaGuard
HGL-SM Straight Swivel
External Thread, IP68**

Straight swivel brass external thread with conduit seal and washer.

Fulfils IP66, IP67, IP68 and IP69k.

Features and Benefits

- One piece, fast fit
- High pull-off strength
- Highly resistant to solvents and oils
- Free of halogen, sulphur and phosphorus



HelaGuard HGL-SM Straight Swivel External Thread with conduit seal, IP68.

Technical Table

Article-No.	Type	Conduit Ø	Thread Size (metric)	Thread Size (PG)	Pack Cont.
166-21900	HGL13-SM-M16	13	M16	–	10
166-21909	HGL13-SM-PG9	13	–	PG9	10
166-21901	HGL16-SM-M16	16	M16	–	10
166-21902	HGL16-SM-M20	16	M20	–	10
166-21910	HGL16-SM-PG9	16	–	PG9	10
166-21911	HGL16-SM-PG11	16	–	PG11	10
166-21903	HGL21-SM-M20	21	M20	–	10
166-21912	HGL21-SM-PG13	21	–	PG13.5	10
166-21913	HGL21-SM-PG16	21	–	PG16	10
166-21904	HGL28-SM-M25	28	M25	–	10
166-21914	HGL28-SM-PG21	28	–	PG21	10
166-21905	HGL34-SM-M32	34	M32	–	10
166-21915	HGL34-SM-PG29	34	–	PG29	10
166-21906	HGL42-SM-M40	42	M40	–	2
166-21907	HGL54-SM-M50	54	M50	–	2
166-21908	HGL67-SM-M63	67	M63	–	1

All dimensions in mm. Subject to technical changes.

Colour grey available on request.



Please note: for product specific approvals, please contact HellermannTyton.

**HelaGuard
HG-90M 90° Elbow Swivel
External Thread, IP66**

90° elbow swivel brass external thread.

Features and Benefits

- One piece, fast fit
- High pull-off strength
- Highly resistant to solvents and oils
- Free of halogen, sulphur and phosphorus



HelaGuard HG-90M 90° Elbow Swivel External Thread, IP66.

Technical Table

Article-No.	Type	Conduit Ø	Thread Size (metric)	Thread Size (PG)	Pack Cont.
166-22500	HG13-90M-M16	13	M16	–	10
166-22509	HG13-90M-PG9	13	–	PG9	10
166-22501	HG16-90M-M16	16	M16	–	10
166-22502	HG16-90M-M20	16	M20	–	10
166-22510	HG16-90M-PG9	16	–	PG9	10
166-22511	HG16-90M-PG11	16	–	PG11	10
166-22503	HG21-90M-M20	21	M20	–	10
166-22512	HG21-90M-PG13	21	–	PG13.5	10
166-22513	HG21-90M-PG16	21	–	PG16	10
166-22504	HG28-90M-M25	28	M25	–	10
166-22514	HG28-90M-PG21	28	–	PG21	10
166-22505	HG34-90M-M32	34	M32	–	10
166-22515	HG34-90M-PG29	34	–	PG29	10
166-22506	HG42-90M-M40	42	M40	–	2
166-22507	HG54-90M-M50	54	M50	–	2
166-22508	HG67-90M-M63	67	M63	–	1

All dimensions in mm. Subject to technical changes.

Colour grey available on request.

Material Data

Material	Polyamide 6.6 (PA66), Nickel Plated Brass (NPB)
Colour	Black (BK)
Operating Temperature	-50 °C to +135 °C
Flammability	UL94 V2



**HelaGuard
HGL-90M 90° Elbow Swivel
External Thread, IP68**

90° elbow swivel brass external thread with conduit seal and washer.

Fulfils IP66, IP67, IP68 and IP69k.

Features and Benefits

- One piece, fast fit
- High pull-off strength
- Highly resistant to solvents and oils
- Free of halogen, sulphur and phosphorus



HelaGuard HGL-90M 90° Elbow Swivel External Thread with conduit seal, IP68.

Technical Table

Article-No.	Type	Conduit Ø	Thread Size (metric)	Thread Size (PG)	Pack Cont.
166-23100	HGL13-90M-M16	13	M16	–	10
166-23108	HGL13-90M-PG9	13	–	PG9	10
166-23101	HGL16-90M-M16	16	M16	–	10
166-23102	HGL16-90M-M20	16	M20	–	10
166-23109	HGL16-90M-PG9	16	–	PG9	10
166-23110	HGL16-90M-PG11	16	–	PG11	10
166-23103	HGL21-90M-M20	21	M20	–	10
166-23111	HGL21-90M-PG13	21	–	PG13.5	10
166-23112	HGL21-90M-PG16	21	–	PG16	10
166-23104	HGL28-90M-M25	28	M25	–	10
166-23113	HGL28-90M-PG21	28	–	PG21	10
166-23105	HGL34-90M-M32	34	M32	–	10
166-23114	HGL34-90M-PG29	34	–	PG29	10
166-23106	HGL42-90M-M40	42	M40	–	2
166-23107	HGL54-90M-M50	54	M50	–	2

All dimensions in mm. Subject to technical changes.

Colour grey available on request.



Please note: for product specific approvals, please contact HellermannTyton.

**HelaGuard
HG-45M 45° Elbow Swivel
External Thread, IP66**

45° elbow swivel brass external thread.

Features and Benefits

- One piece, fast fit
- High pull-off strength
- Highly resistant to solvents and oils
- Free of halogen, sulphur and phosphorus



HelaGuard HG-45M 45° Elbow Swivel External Thread, IP66.

Technical Table

Article-No.	Type	Conduit Ø	Thread Size (metric)	Thread Size (PG)	Pack Cont.
166-23700	HG16-45M-M20	16	M20	–	10
166-23706	HG16-45M-PG9	16	–	PG9	10
166-23707	HG16-45M-PG11	16	–	PG11	10
166-23701	HG21-45M-M20	21	M20	–	10
166-23708	HG21-45M-PG13	21	–	PG13.5	10
166-23709	HG21-45M-PG16	21	–	PG16	10
166-23702	HG28-45M-M25	28	M25	–	10
166-23710	HG28-45M-PG21	28	–	PG21	10
166-23703	HG34-45M-M32	34	M32	–	10
166-23711	HG34-45M-PG29	34	–	PG29	10
166-23704	HG42-45M-M50	42	M50	–	2
166-23705	HG54-45M-M50	54	M50	–	2

All dimensions in mm. Subject to technical changes.

Colour grey available on request.

Material Data

Material	Polyamide 6.6 (PA66), Nickel Plated Brass (NPB)
Colour	Black (BK)
Operating Temperature	-50 °C to +135 °C
Flammability	UL94 V2



**HelaGuard
HGL-45M 45° Elbow Swivel
External Thread, IP68**

45° elbow swivel brass external thread with conduit seal and washer.

Fulfils IP66, IP67, IP68 and IP69k.

Features and Benefits

- One piece, fast fit
- High pull-off strength
- Highly resistant to solvents and oils
- Free of halogen, sulphur and phosphorus



HelaGuard HGL-45M 45° Elbow Swivel External Thread, IP68.

Technical Table

Article-No.	Type	Conduit Ø	Thread Size (metric)	Thread Size (PG)	Pack Cont.
166-24300	HGL16-45M-M20	16	M20	–	10
166-24306	HGL16-45M-PG9	16	–	PG9	10
166-24307	HGL16-45M-PG11	16	–	PG11	10
166-24301	HGL21-45M-M20	21	M20	–	10
166-24308	HGL21-45M-PG13	21	–	PG13.5	10
166-24309	HGL21-45M-PG16	21	–	PG16	10
166-24302	HGL28-45M-M25	28	M25	–	10
166-24310	HGL28-45M-PG21	28	–	PG21	10
166-24303	HGL34-45M-M32	34	M32	–	10
166-24311	HGL34-45M-PG29	34	–	PG29	10
166-24304	HGL42-45M-M50	42	M50	–	2
166-24305	HGL54-45M-M50	54	M50	–	2

All dimensions in mm. Subject to technical changes.

Colour grey available on request.



Please note: for product specific approvals, please contact HellermannTyton.

HelaGuard HG-SF Straight Swivel Internal Thread, IP66

Straight swivel brass internal thread.

Features and Benefits

- One piece, fast fit
- High pull-off strength
- Highly resistant to solvents and oils
- Free of halogen, sulphur and phosphorus



HelaGuard HG-SF Straight Swivel Internal Thread, IP66.

Technical Table

Article-No.	Type	Conduit Ø	Thread Size (metric)	Thread Size (PG)	Pack Cont.
166-21400	HG13-SF-M16	13	M16	–	10
166-21408	HG13-SF-PG9	13	–	PG9	10
166-21401	HG16-SF-M16	16	M16	–	10
166-21402	HG16-SF-M20	16	M20	–	10
166-21409	HG16-SF-PG11	16	–	PG11	10
166-21410	HG16-SF-PG16	16	–	PG16	10
166-21403	HG21-SF-M20	21	M20	–	10
166-21411	HG21-SF-PG16	21	–	PG16	10
166-21404	HG28-SF-M25	28	M25	–	10
166-21412	HG28-SF-PG21	28	–	PG21	10
166-21405	HG34-SF-M32	34	M32	–	10
166-21413	HG34-SF-PG29	34	–	PG29	10
166-21406	HG42-SF-M40	42	M40	–	2
166-21407	HG54-SF-M50	54	M50	–	2

All dimensions in mm. Subject to technical changes.

Colour grey available on request.

Material Data

Material	Polyamide 6.6 (PA66), Nickel Plated Brass (NPB)
Colour	Black (BK)
Operating Temperature	-50 °C to +135 °C
Flammability	UL94 V2



HelaGuard HGL-SF Straight Swivel Internal Thread, IP68

Straight swivel brass internal thread with conduit seal and washer.

Fulfils IP66, IP67, IP68 and IP69k.

Features and Benefits

- One piece, fast fit
- High pull-off strength
- Highly resistant to solvents and oils
- Free of halogen, sulphur and phosphorus



HelaGuard HGL-SF Straight Swivel Internal Thread, IP68.

Technical Table

Article-No.	Type	Conduit Ø	Thread Size (metric)	Thread Size (PG)	Pack Cont.
166-22000	HGL13-SF-M16	13	M16	–	10
166-22009	HGL13-SF-PG9	13	–	PG9	10
166-22001	HGL16-SF-M16	16	M16	–	10
166-22002	HGL16-SF-M20	16	M20	–	10
166-22010	HGL16-SF-PG9	16	–	PG9	10
166-22011	HGL16-SF-PG11	16	–	PG11	10
166-22003	HGL21-SF-M20	21	M20	–	10
166-22012	HGL21-SF-PG13	21	–	PG13.5	10
166-22013	HGL21-SF-PG16	21	–	PG16	10
166-22004	HGL28-SF-M25	28	M25	–	10
166-22014	HGL28-SF-PG21	28	–	PG21	10
166-22005	HGL34-SF-M32	34	M32	–	10
166-22015	HGL34-SF-PG29	34	–	PG29	10
166-22006	HGL42-SF-M40	42	M40	–	2
166-22007	HGL54-SF-M50	54	M50	–	2
166-22008	HGL67-SF-M63	67	M63	–	1

All dimensions in mm. Subject to technical changes.

Colour grey available on request.

 Please note: for product specific approvals, please contact HellermannTyton.

**HelaGuard
HG-90F 90° Elbow Swivel
Internal Thread, IP66**

90° elbow swivel brass internal thread.

Features and Benefits

- One piece, fast fit
- High pull-off strength
- Highly resistant to solvents and oils
- Free of halogen, sulphur and phosphorus



HelaGuard HG-90F 90° Elbow Swivel Internal Thread, IP66.

Technical Table

Article-No.	Type	Conduit Ø	Thread Size (metric)	Thread Size (PG)	Pack Cont.
166-22600	HG13-90F-M16	13	M16	–	10
166-22608	HG13-90F-PG9	13	–	PG9	10
166-22601	HG16-90F-M16	16	M16	–	10
166-22602	HG16-90F-M20	16	M20	–	10
166-22609	HG16-90F-PG9	16	–	PG9	10
166-22610	HG16-90F-PG11	16	–	PG11	10
166-22603	HG21-90F-M20	21	M20	–	10
166-22614	HG21-90F-PG13	21	–	PG13.5	10
166-22611	HG21-90F-PG16	21	–	PG16	10
166-22604	HG28-90F-M25	28	M25	–	10
166-22612	HG28-90F-PG21	28	–	PG21	10
166-22605	HG34-90F-M32	34	M32	–	10
166-22613	HG34-90F-PG29	34	–	PG29	10
166-22606	HG42-90F-M40	42	M40	–	2
166-22607	HG54-90F-M50	54	M50	–	2

All dimensions in mm. Subject to technical changes.

Colour grey available on request.

Material Data

Material	Polyamide 6.6 (PA66), Nickel Plated Brass (NPB)
Colour	Black (BK)
Operating Temperature	-50 °C to +135 °C
Flammability	UL94 V2



**HelaGuard
HGL-90F 90° Elbow Swivel
Internal Thread, IP68**

90° elbow swivel brass internal thread with conduit seal and washer.

Fulfils IP66, IP67, IP68 and IP69k.

Features and Benefits

- One piece, fast fit
- High pull-off strength
- Highly resistant to solvents and oils
- Free of halogen, sulphur and phosphorus



HelaGuard HGL-90F 90° Elbow Swivel Internal Thread with conduit seal, IP68.

Technical Table

Article-No.	Type	Conduit Ø	Thread Size (metric)	Thread Size (PG)	Pack Cont.
166-23200	HGL13-90F-M16	13	M16	–	10
166-23208	HGL13-90F-PG9	13	–	PG9	10
166-23201	HGL16-90F-M16	16	M16	–	10
166-23202	HGL16-90F-M20	16	M20	–	10
166-23209	HGL16-90F-PG9	16	–	PG9	10
166-23210	HGL16-90F-PG11	16	–	PG11	10
166-23203	HGL21-90F-M20	21	M20	–	10
166-23211	HGL21-90F-PG13	21	–	PG13.5	10
166-23212	HGL21-90F-PG16	21	–	PG16	10
166-23204	HGL28-90F-M25	28	M25	–	10
166-23213	HGL28-90F-PG21	28	–	PG21	10
166-23205	HGL34-90F-M32	34	M32	–	10
166-23214	HGL34-90F-PG29	34	–	PG29	10
166-23206	HGL42-90F-M40	42	M40	–	2
166-23207	HGL54-90F-M50	54	M50	–	2

All dimensions in mm. Subject to technical changes.

Colour grey available on request.

Please note: for product specific approvals, please contact HellermannTyton.

**HelaGuard
HG-45F 45° Elbow Swivel
Internal Thread, IP66**

45° elbow swivel brass internal thread.

Features and Benefits

- One piece, fast fit
- High pull-off strength
- Highly resistant to solvents and oils
- Free of halogen, sulphur and phosphorus



HelaGuard HG-45F 45° Elbow Swivel Internal Thread, IP66.

Technical Table

Article-No.	Type	Conduit Ø	Thread Size (metric)	Thread Size (PG)	Pack Cont.
166-23800	HG16-45F-M20	16	M20	–	10
166-23806	HG16-45F-PG11	16	–	PG11	10
166-23807	HG16-45F-PG16	16	–	PG16	10
166-23801	HG21-45F-M20	21	M20	–	10
166-23808	HG21-45F-PG16	21	–	PG16	10
166-23802	HG28-45F-M25	28	M25	–	10
166-23809	HG28-45F-PG21	28	–	PG21	10
166-23803	HG34-45F-M32	34	M32	–	10
166-23810	HG34-45F-PG29	34	–	PG29	10
166-23804	HG42-45F-M50	42	M50	–	2
166-23805	HG54-45F-M50	54	M50	–	2

All dimensions in mm. Subject to technical changes.

Colour grey available on request.

Material Data

Material	Polyamide 6.6 (PA66), Nickel Plated Brass (NPB)
Colour	Black (BK)
Operating Temperature	-50 °C to +135 °C
Flammability	UL94 V2



**HelaGuard
HGL-45F 45° Elbow Swivel
Internal Thread, IP68**

45° elbow swivel brass internal thread with conduit seal and washer.

Fulfils IP66, IP67, IP68 and IP69k.

Features and Benefits

- One piece, fast fit
- High pull-off strength
- Highly resistant to solvents and oils
- Free of halogen, sulphur and phosphorus



HelaGuard HGL-45F 45° Elbow Swivel Internal Thread, IP68.

Technical Table

Article-No.	Type	Conduit Ø	Thread Size (metric)	Thread Size (PG)	Pack Cont.
166-24400	HGL16-45F-M20	16	M20	–	10
166-24406	HGL16-45F-PG11	16	–	PG11	10
166-24407	HGL16-45F-PG16	16	–	PG16	10
166-24401	HGL21-45F-M20	21	M20	–	10
166-24408	HGL21-45F-PG16	21	–	PG16	10
166-24402	HGL28-45F-M25	28	M25	–	10
166-24409	HGL28-45F-PG21	28	–	PG21	10
166-24403	HGL34-45F-M32	34	M32	–	10
166-24410	HGL34-45F-PG29	34	–	PG29	10
166-24404	HGL42-45F-M50	42	M50	–	2
166-24405	HGL54-45F-M50	54	M50	–	2

All dimensions in mm. Subject to technical changes.

Colour grey available on request.



Please note: for product specific approvals, please contact HellermannTyton.

**HelaGuard
HG-SFL Straight Swivel Flange,
IP66**

Straight swivel flange.

Features and Benefits

- One piece, fast fit
- High pull-off strength
- Highly resistant to solvents and oils
- Free of halogen, sulphur and phosphorus

Technical Table

Article-No.	Type	Conduit Ø	Pack Cont.
166-21200	HG16-SFL	16	10
166-21201	HG21-SFL	21	10
166-21202	HG28-SFL	28	10
166-21203	HG34-SFL	34	10
166-21204	HG42-SFL	42	2

All dimensions in mm. Subject to technical changes.

Colour grey available on request.



HelaGuard HG-SFL Straight Swivel Flange, IP66.

Material Data

Material	Polyamide 6.6 (PA66)
Colour	Black (BK)
Operating Temperature	-50 °C to +135 °C
Flammability	UL94 V2



**HelaGuard
HGL-SFL Straight Swivel Flange,
IP68**

Straight swivel flange with conduit seal and washer.

Fulfils IP66, IP67, IP68 and IP69k.

Features and Benefits

- One piece, fast fit
- High pull-off strength
- Highly resistant to solvents and oils
- Free of halogen, sulphur and phosphorus

Technical Table

Article-No.	Type	Conduit Ø	Pack Cont.
166-21800	HGL16-SFL	16	10
166-21801	HGL21-SFL	21	10
166-21802	HGL28-SFL	28	10
166-21803	HGL34-SFL	34	10
166-21804	HGL42-SFL	42	2

All dimensions in mm. Subject to technical changes.

Colour grey available on request.



HelaGuard HGL-SFL Straight Swivel Flange with conduit seal, IP68.



Please note: for product specific approvals, please contact HellermannTyton.

**HelaGuard
HG-90FL 90° Elbow Swivel
Flange, IP66**

90° elbow swivel flange.

Features and Benefits

- One piece, fast fit
- High pull-off strength
- Highly resistant to solvents and oils
- Free of halogen, sulphur and phosphorus

Technical Table

Article-No.	Type	Conduit Ø	Pack Cont.
166-22400	HG16-90FL	16	10
166-22401	HG21-90FL	21	10
166-22402	HG28-90FL	28	10
166-22403	HG34-90FL	34	10
166-22404	HG42-90FL	42	2

All dimensions in mm. Subject to technical changes.

Colour grey available on request.



HelaGuard HG-90FL 90° Elbow Swivel Flange, IP66.

Material Data

Material	Polyamide 6.6 (PA66)
Colour	Black (BK)
Operating Temperature	-50 °C to +135 °C
Flammability	UL94 V2



**HelaGuard
HGL-90FL 90° Elbow Swivel
Flange, IP68**

90° elbow swivel flange with conduit seal and washer.

Fulfils IP66, IP67, IP68 and IP69k.

Features and Benefits

- One piece, fast fit
- High pull-off strength
- Highly resistant to solvents and oils
- Free of halogen, sulphur and phosphorus

Technical Table

Article-No.	Type	Conduit Ø	Pack Cont.
166-23000	HGL16-90FL	16	10
166-23001	HGL21-90FL	21	10
166-23002	HGL28-90FL	28	10
166-23003	HGL34-90FL	34	10
166-23004	HGL42-90FL	42	2

All dimensions in mm. Subject to technical changes.

Colour grey available on request.



HelaGuard HGL-90FL 90° Elbow Swivel Flange, IP68.



Please note: for product specific approvals, please contact HellermannTyton.

**HelaGuard
HG-45FL 45° Elbow Swivel
Flange, IP66**

45° elbow swivel flange.

Features and Benefits

- One piece, fast fit
- High pull-off strength
- Highly resistant to solvents and oils
- Free of halogen, sulphur and phosphorus

Technical Table

Article-No.	Type	Conduit Ø	Pack Cont.
166-23600	HG16-45FL	16	10
166-23601	HG21-45FL	21	10
166-23602	HG28-45FL	28	10
166-23603	HG34-45FL	34	10
166-23604	HG42-45FL	42	2

All dimensions in mm. Subject to technical changes.

Colour grey available on request.



HelaGuard HG-45FL 45° Elbow Swivel Flange, IP66.

Material Data

Material	Polyamide 6.6 (PA66)
Colour	Black (BK)
Operating Temperature	-50 °C to +135 °C
Flammability	UL94 V2



**HelaGuard
HGL-45FL 45° Elbow Swivel
Flange, IP68**

45° elbow swivel flange with conduit seal and washer.

Fulfils IP66, IP67, IP68 and IP69k.

Features and Benefits

- One piece, fast fit
- High pull-off strength
- Highly resistant to solvents and oils
- Free of halogen, sulphur and phosphorus

Technical Table

Article-No.	Type	Conduit Ø	Pack Cont.
166-24200	HGL16-45FL	16	10
166-24201	HGL21-45FL	21	10
166-24202	HGL28-45FL	28	10
166-24203	HGL34-45FL	34	10
166-24204	HGL42-45FL	42	2

All dimensions in mm. Subject to technical changes.

Colour grey available on request.



HelaGuard HGL-45FL 45° Elbow Swivel Flange, IP68.



Please note: for product specific approvals, please contact HellermannTyton.

**HelaGuard
HG-T, T-Connector, IP66**

T-connector with inspection lid.

Features and Benefits

- Fast fit T-connector
- With inspection lid

Technical Table

Article-No.	Type	Conduit Ø	Pack Cont.
166-24800	HG16-T	16	5
166-24801	HG20-T	20	3
166-24802	HG21-T	21	3
166-24803	HG28-T	28	3
166-24804	HG34-T	34	2
166-24805	HG42-T	42	2

All dimensions in mm. Subject to technical changes.

Colour grey available on request.



HelaGuard HG-T, T-Connector, IP66.

Material Data

Material	Polyamide 6.6 (PA66)
Colour	Black (BK)
Operating Temperature	-50 °C to +135 °C
Flammability	UL94 V2



**HelaGuard
HGL-T, T-Connector, IP68**

T-connector with conduit seals.

Fulfils IP66, IP67, IP68 and IP69k.

Features and Benefits

- Fast fit T-connector
- With inspection lid and additional seals

Technical Table

Article-No.	Type	Conduit Ø	Pack Cont.
166-24900	HGL16-T	16	5
166-24901	HGL21-T	21	3
166-24902	HGL28-T	28	3
166-24903	HGL34-T	34	2
166-24904	HGL42-T	42	2

All dimensions in mm. Subject to technical changes.

Colour grey available on request.



HelaGuard HGL-T, T-Connector with conduit seals.



Please note: for product specific approvals, please contact HellermannTyton.

FlexiGuard NS and FlexiGuard Plus

Features and Benefits

In addition to the HelaGuard conduit range, HellermannTyton also offers the highly flexible FlexiGuard NS and FlexiGuard Plus protective hoses and fittings.

FlexiGuard NS and FlexiGuard Plus are made of plastic-sheathed spring steel wire with a plastic jacket. Due to the spring steel wire, FlexiGuard NS and FlexiGuard Plus are extremely flexible, have very low bending radii, and yet are very compression-resistant and kink-proof.

The jacket of FlexiGuard NS is high grade PVC, which is resistant to alkalis, acids, chemicals, UV and ozone.

The FlexiGuard Plus jacket is made of special premium ester-polyurethane (PU). It offers high tensile strength and is highly resistant to abrasion and tears. It is also very resistant to mineral oils, chemicals, UV and ozone.

FlexiGuard NS and FlexiGuard Plus hoses are supplied in 8 different diameters.

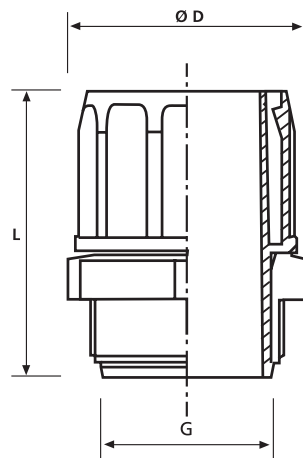
Fittings

The one-piece FlexiGuard fittings offer a tight hold, even under vibration and tension. They are made of robust polypropylene (PP) and achieve an IP rating of IP54. The fittings are available with both metric and PG threads. There are also fittings equipped with a bracket to fix the fitting securely.

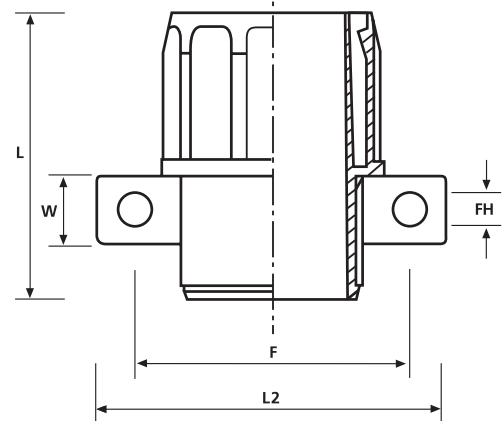
Consult our main HellermannTyton catalogue for more information on our FlexiGuard range of flexible hoses and fittings.



The FlexiGuard product range is very flexible and compression resistant.



NV and TV fittings



UH fitting with bracket.